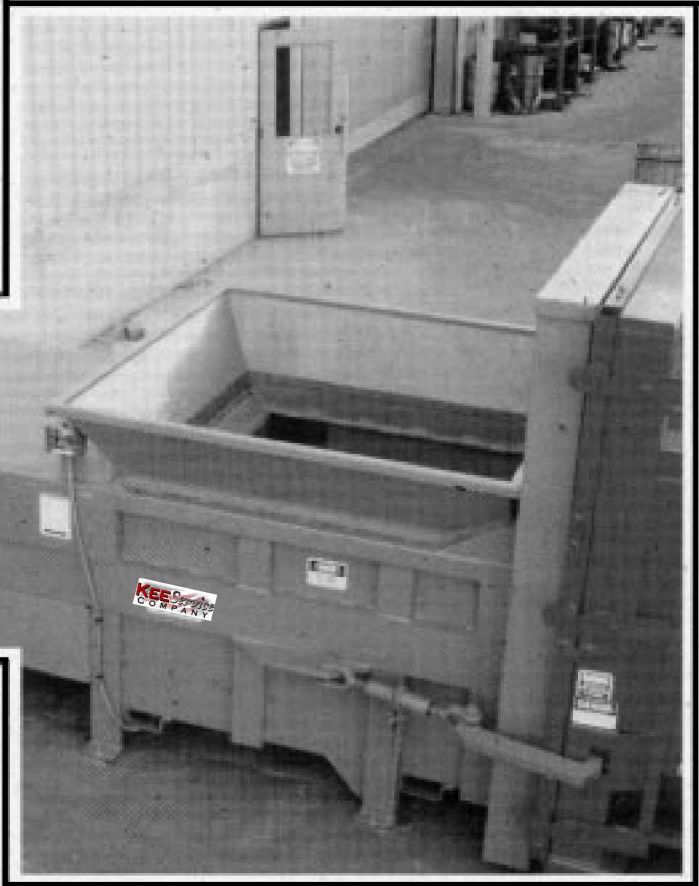




PRE-CRUSHER COMPACTORS

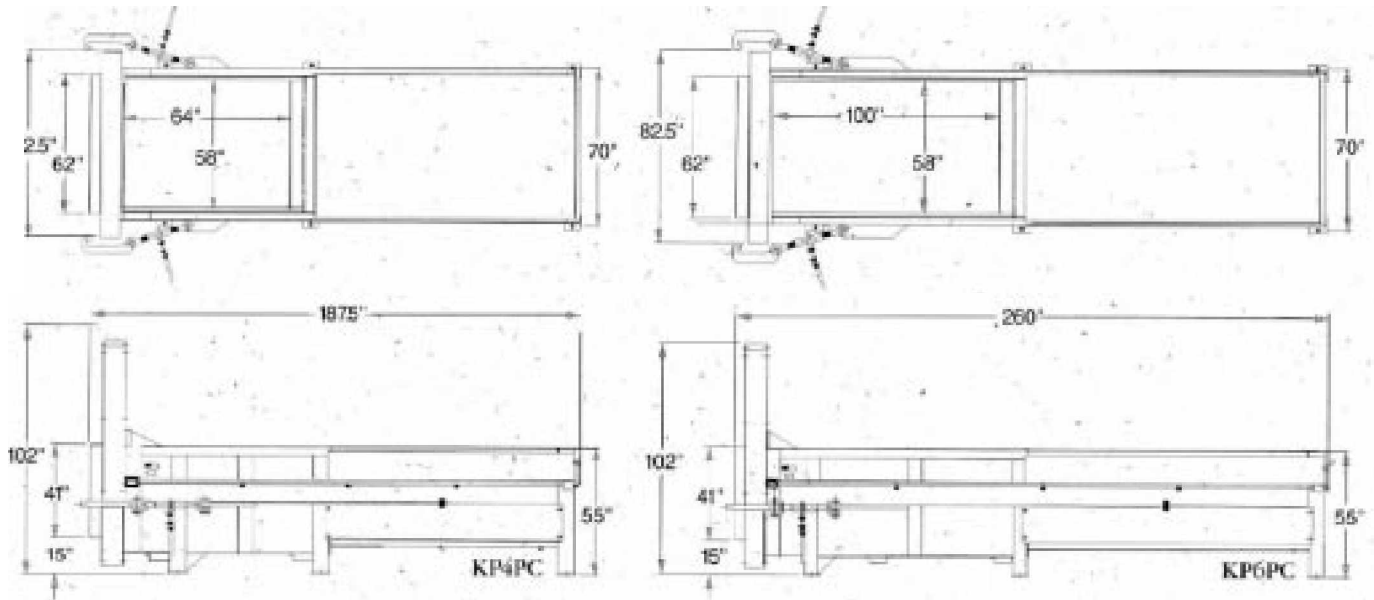
KS4PC & KS6PC SERIES



KeeService Company has established itself as a leader in innovation and dependability in the waste equipment industry. From engineering to production, KeeService Company is committed to providing top quality equipment and service.

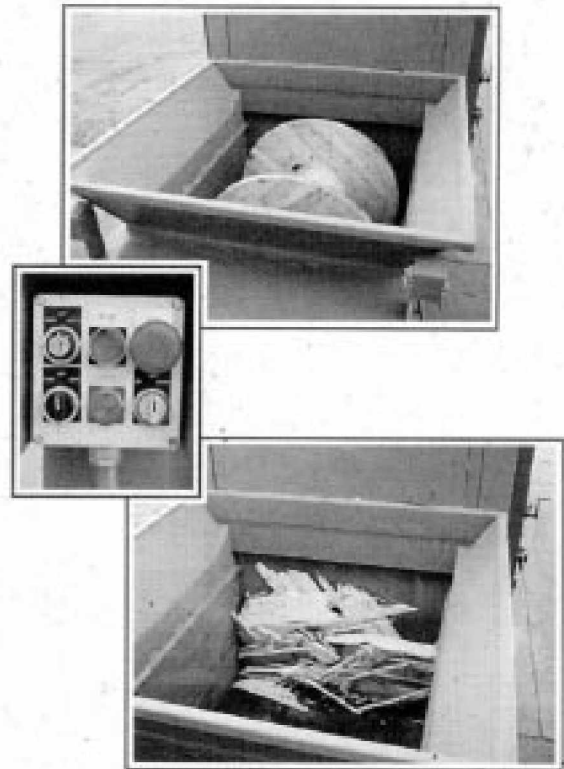
KeeService Company Pre-Crushers are designed to reduce the mass of hard-to-compact or bulky material. It is also used to crush and destroy materials and products that waste generators want destroyed before sending them to the disposal site. A guillotine blade is installed inside the hopper next to the front of the breaker bar that travels down to block off the opening. This blade acts as a bulkhead to crush material against before the secondary compaction cycle pushes-the material inside the receiver container.

With the KS4PC & KS6PC Series of Models you can expect a clean, fast and trouble free operation of compaction and waste removal, from KeeService Company



KS4PC & KP6PC PRE-CRUSHER COMPACTION SPECIFICATIONS

	KS4PC	KS6PC
Cleartop Opening	64" x 58"	100" x 58"
Ram Penetration	9.5"	9.5" Cylinder
Size	1-6D x 84"	1-6D x 120"
Floor	.50 AR Plate	.50 AR Plate
Compactor Sides	.38 Plate	.38 Plate
Ram Top	.38 Plate	.38 Plate
Ram Face	.50 Plate	.50 Plate
Power Pack HP	20 HP	20 HP
Cycle Time	49 Sec.	55 Sec.
Norm. Force	66,450#	66,450#
Max. Force	70,650#	70,650#
Norm. PSI	2,350 PSI	2,350 PSI
Max. PSI	2,500 PSI	2,500 PSI
Pump Size	48 GPM	48 GPM
Res. Size	75 Gallons	75 Gallons
Weight/Complete	11,975 lb.	14,825 lb.



KEE Service COMPANY

Kee Service Company
1515 American Way
Cedar Hill, TX 75114
Phone 972-293-0855 / Fax 972-292-9691

Continued product improvement is a KSC goal. Therefore, we reserve the right to make any changes in illustrations, specifications, equipment and prices.
All KSC Compaction Units conform to applicable ANSI 2245.2 safety standards.

