



# STATIONARY COMPACTOR

---

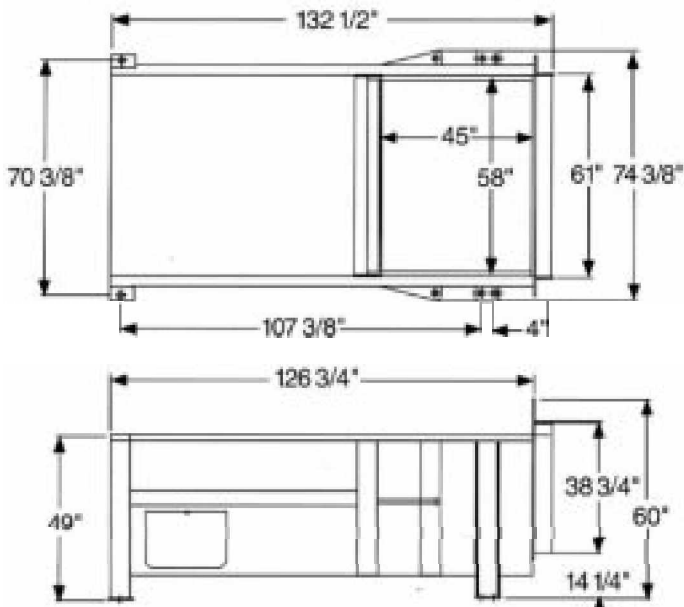
## KSP2



KeeService Company has established itself as a leader in innovation and dependability in the waste equipment industry. From engineering to production, KeeService Company is committed to providing top quality equipment and service.

The KS2S Stationary Compactor is an affordably priced single cylinder stationary compactor from KeeService Company that delivers all the quality you have learned to appreciate. This stationary compactor has a large clear top opening 45" x 58" NSWNA rated 1.72 Cubic Yards. This unit is suitable for those small industrial applications, hospitals, retail and food stores. Ideal for the solid waste stream or recyclables, this unit compacts at a quick 34 seconds and develops 46,200# maximum packing force.

With the KS Series of Compactors you can expect a clean, fast and trouble free operation of your Recycling and Waste Removal efforts, from KeeService Company.

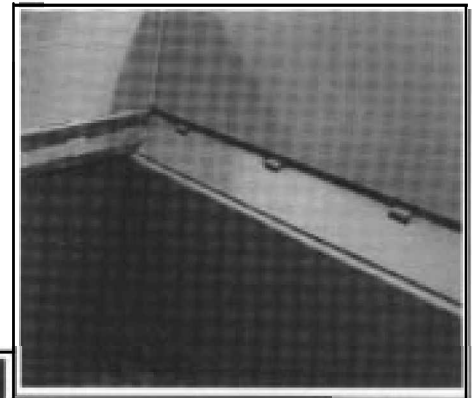


KS2S shown with optional ground feed hopper.

## KS2S STATIONARY COMPACTION SPECIFICATIONS

KS2S	
NSWMA Rating	1.72 Cubic Yards
Clear-top Opening	45" x 58"
Ram Penetration	14"
Cylinder Size	1 · 5" x 60" Stroke
Floor	.38 Plate
Compactor Sides	.19 Plate
Ram Top	.25 Plate
Ram Face	.50 Plate
Power Pack HP	10 HP
Cycle Time	34 Sec.
Norm. Force	42,200#
Max. Force	46,200#
Norm. PSI	2,150 PSI
Max. Force	2,350 PSI
Pump Size	12 GPM
Res. Size	20 Gallons
Weight/Complete	5,170 lb.
	10 HP T.E.F.C./
	3 Phase 230/460 Volt
	60 Hertz

Wear Wiper, requiring no adjustments or continued maintenance.



Convenient single removable side access cover.

**KEE Service**  
COMPANY

Kee Service Company  
1515 American Way  
Cedar Hill, TX 75114  
Phone 972-293-0855 / Fax 972-292-9691

Continued product improvement is a KSC goal. Therefore, we reserve the right to make any changes in illustrations, specifications, equipment and prices.  
All KSC Compaction Units conform to applicable ANSI 2245.2 safety standards.



WASTE EQUIPMENT  
TECHNOLOGY ASSOCIATION



ENVIRONMENTAL INDUSTRY  
ASSOCIATION

